

## MicroDoor

## MicroDoor Sx

WIRELESS SENSOR FOR DOORS AND WINDOWS  
AND HOME AUTOMATION COMMAND  
TRANSMITTER

**CSI 030048**

**CSI 030049**



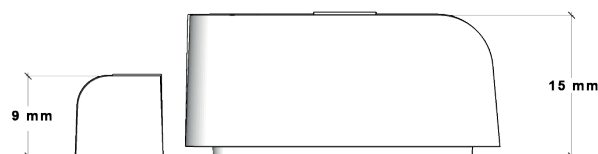
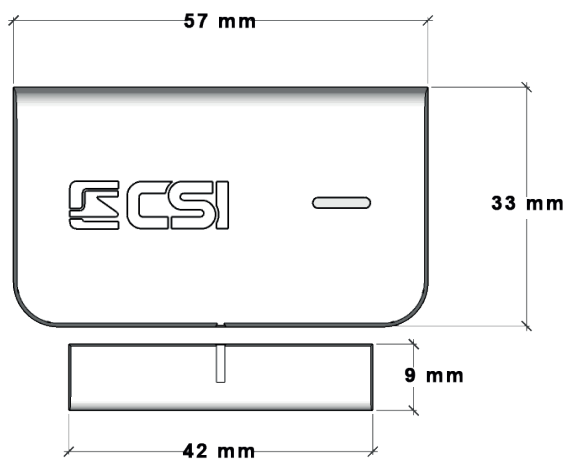
- Multifunction WLINK transceiver for doors and windows and transmitter for contacts home automation.
- MicroDoor is a WLINK transceiver with innovative features:
  - 32-bit low-power microprocessor technology
  - Built-in reed contact and magnet supplied
  - Individually programmable inputs for external contacts connected with a cable multipolar plug-in
  - Accelerometer for the detection of shocks, vibrations, removal (only MicroDoor)
  - Integrated transceiver in band 4 (available in band 8 on request)
  - Anti-opening and anti-removal tamper
  - Housing for LT3006 battery (not supplied)
  - Sturdy polycarbonate container, available in white and brown

MicroDoor is enclosed in an attractive and discreet plastic container, capable of being integrated into any architectural context.

No antenna protrudes from the casing, a feature that guarantees greater camouflage and functional safety.

## GENERAL FEATURES

		microDOOR Sx CSI030049	microDOOR CSI030048
<b>Magnet</b>	Supplied as standard	<b>YES</b>	<b>YES</b>
<b>Tamper</b>	Anti-opening and anti-removal	<b>YES</b>	<b>YES</b>
<b>Auxiliary wired inputs</b>	Connection via multipolar plug-in cable (supplied). Compatibility with magnetic sensors, contacts and shutter sensors	<b>2</b>	<b>4</b>
<b>Accelerometer</b>	For revelation bumps and break-in attempts	<b>NO</b>	<b>SI</b>
<b>Radio WLink "band 4"</b>	Range 433.449 ÷ 434.499 MHz	<b>INTEGRATED</b>	<b>INTEGRATED</b>
<b>Radio WLink "band 8"</b>	Range 8683.449 ÷ 874.499 MHz	<b>On request</b>	<b>On request</b>
<b>Dimensions</b>	57 x 33 x15 mm (sensor body) 42 x 9 x 9 mm (magnet)		



### Centro Sicurezza Italia S.p.A.

Via Signagatta 26 - 10044 Pianezza (TO) - Italia  
Tel. +39 011.966.10.07 - +39 011.967.60.94

P.IVA 05192560018 - REA To692803

[info@csispa.it](mailto:info@csispa.it)  
[www.csispa.it](http://www.csispa.it)



AZIENDA CERTIFICATA



Conforme a  
normativa europea  
RED 2014/53/EU

